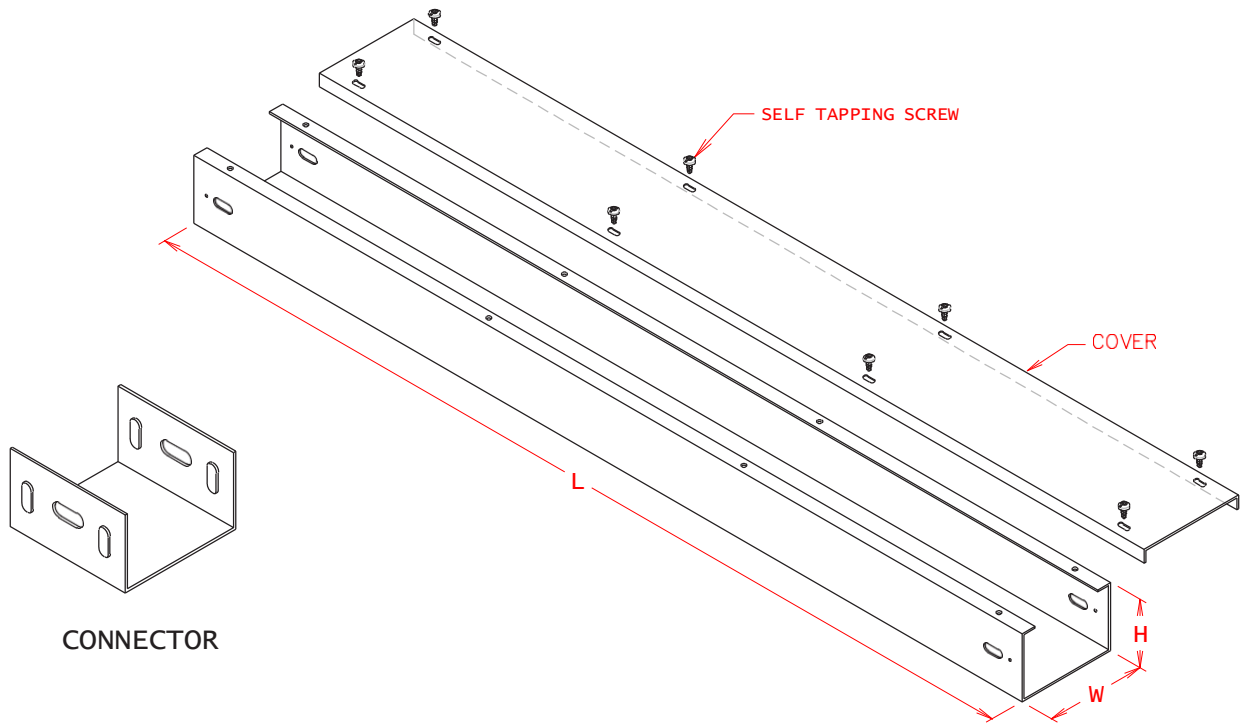


Metal Trunking – Straight



Product Code Description

UM	TR	S	EW	10T	50	100	2438
Product	Type	Finishing	Thickness	Height	Width	Length	

(UMTRSEW-10T-50-100-2438)

- EPOXY WHITE - STRAIGHT
- METAL TRUNKING
- 1.0(T) x 50(H) x 100(W) x 2438(L)

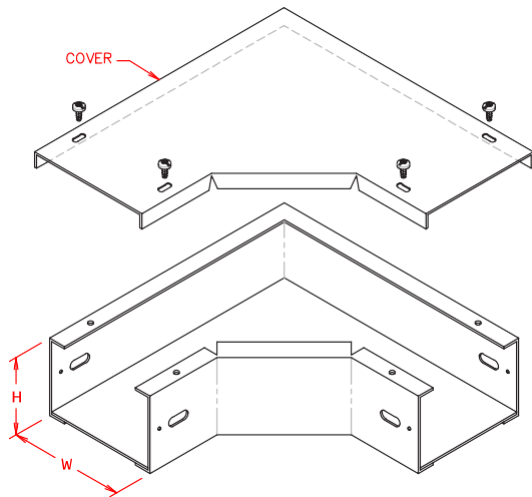
- Note:**
- Metal trunking comes with cover, connector and fastener.
 - Other sizes are available upon request.

PRODUCT CATALOGUE

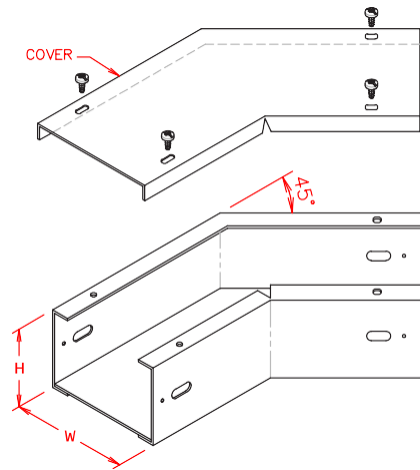
PRODUCT	CODE	FINISHING	CODE	THICKNESS (T)	CODE	HEIGHT (H)	WIDTH (W)
TRUNKING	TR	EPOXY ORANGE	EO	0.6MM	06T	25	50
		EPOXY WHITE	EW	0.8MM	08T	50	75
		EPOXY GREEN	EG	1.0MM	10T	75	100
		EPOXY RED	ER	1.2MM	12T	100	150
		HOT DIPPED GALVANISED	HDG	1.5MM	15T	125	200
		GALVANISED IRON	GI	2.0MM	20T	150	250
STRAIGHT	S	STAINLESS STEEL 316	S6	LENGTH (L)		200	300
				2438			
				3000			

Metal Trunking

– Horizontal Flat Elbow



90°



45°

Product Code Description

UM	TR	E	EO	10T	50	100	90
		Type	Finishing	Thickness	Height	Width	Degree
Product							

(UMTREEO-10T-50-100-90)

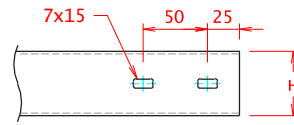
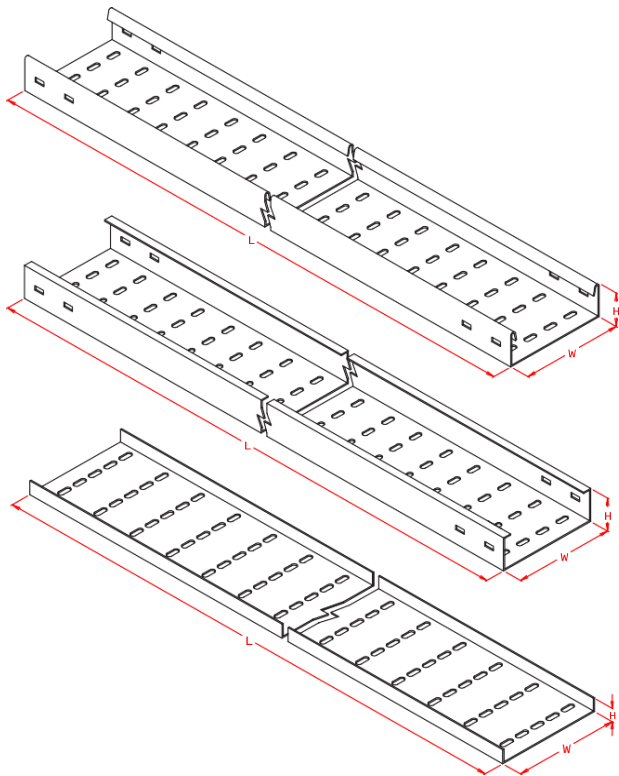
- EPOXY ORANGE - ELBOW 90 DEG
- METAL TRUNKING
- 1.0(T) x 50(H) x 100(W)

Note:

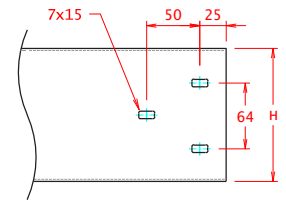
- Metal trunking comes with cover, connector and fastener.
- Other sizes are available upon request.

PRODUCT	CODE	FINISHING	CODE	THICKNESS (T)	CODE	HEIGHT (H)	WIDTH (W)
TRUNKING	TR	EPOXY ORANGE	EO	0.6MM	06T	25	50
		EPOXY WHITE	EW	0.8MM	08T	50	75
		EPOXY GREEN	EG	1.0MM	10T	75	100
		EPOXY RED	ER	1.2MM	12T	100	150
		HOT DIPPED GALVANISED	HDG	1.5MM	15T	125	200
		GALVANISED IRON	GI	2.0MM	20T	150	250
ELBOW	E	STAINLESS STEEL 304	S4	30	60	200	300
		STAINLESS STEEL 316	S6	45	90		
				DEGREE			

Cable Tray – Straight

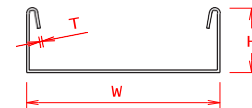


Joint Hole
FOR 50H, 75H & 100H

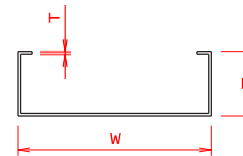


Joint Hole
FOR 125H & 150H

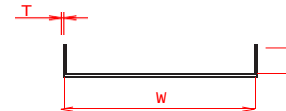
TF Type



TC Type



TU Type



Product Code Description

UM	TF	S	HDG	15T	50	200	3000
Product	Type	Finishing	Thickness	Height	Width	Length	

- HDG - STRAIGHT
- PERFORATED CABLE TRAY TF-TYPE
- 1.5(T) 50(H) x 200(W) x 3000(L)

Note: Other sizes are available upon request.

PRODUCT	CODE	FINISHING	CODE	THICKNESS (T)	CODE	HEIGHT (H)	WIDTH (W)
TF TYPE	TF	EPOXY ORANGE	EO	1.0MM	10T	25	50
TC TYPE	TC	EPOXY WHITE	EW	1.2MM	12T	50	75
TU TYPE	TU	EPOXY GREEN	EG	1.5MM	15T	100	150
		EPOXY RED	ER		150	250	
		STAINLESS STEEL 316	S6		150	250	
LENGTH (L)						200	300
2438							

